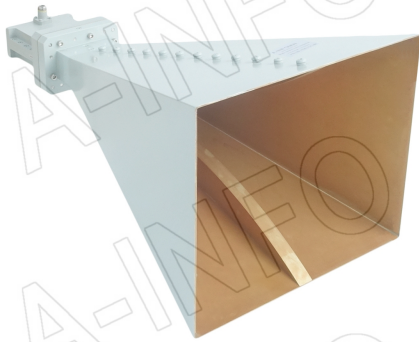


For reference only. See data sheet for the detailed specifications.

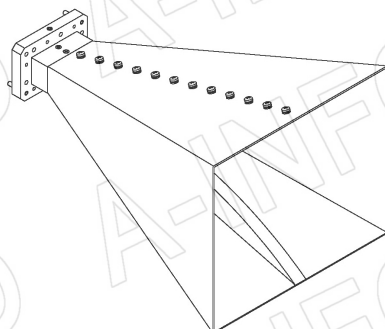
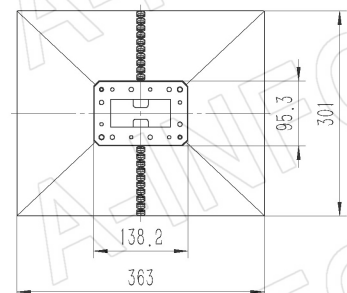
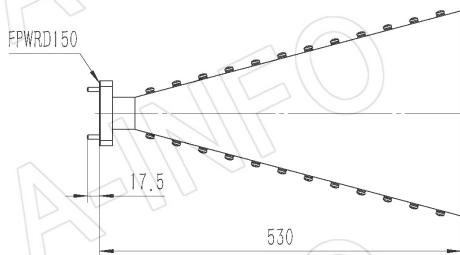
## Technical Specification



|                          |   |
|--------------------------|---|
| Frequency Range(GHz)     | 1.5 – 3.6                               |
| Gain(dBi)                | 15 Typ.                                 |
| Polarization             | Linear                                  |
| 3dB Beamwidth(deg)       | E Plane: 39 - 19                        |
|                          | H Plane: 42 - 20                        |
| Cross Pol. Isolation(dB) | 40 Typ.                                 |
| VSWR                     | 1.25:1 Typ.                             |
| Output                   | A Type: FPWRD150                        |
|                          | C Type: N-Female or SMA-Female          |
| Power Handling(W CW)     | N-F: 150 Max.                           |
|                          | SMA-F: 50 Max.                          |
| Material                 | Al                                      |
| Finish                   | Chemical Conversion Coating, Gray Paint |
| Size(mm)                 | A Type: 363 x 301 x 530                 |
|                          | C Type: 363 x 301 x 648.1               |
| Net Weight(Kg)           | A Type: 5.32 Around                     |
|                          | C Type: 6.63 Around                     |

## Outline Drawing (Size: mm)

FPWRD150 Output (P/N: LB-1536-15-A)



**AINFO Inc.**

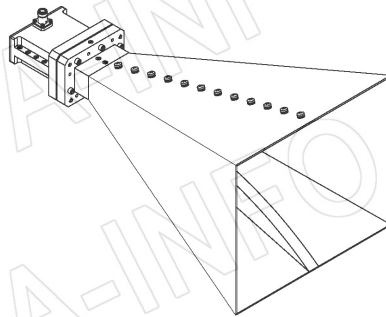
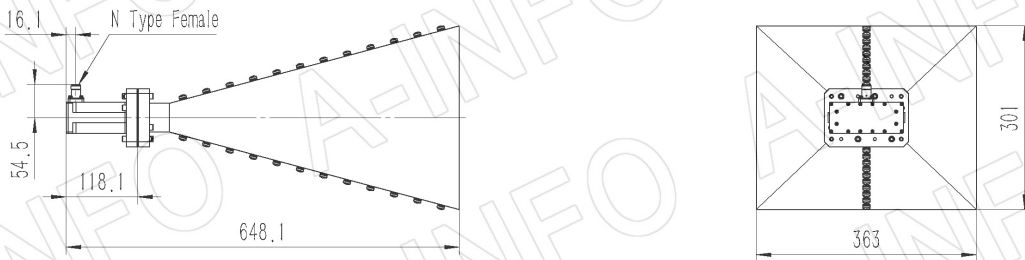
China(Beijing): Tel: (+86) 10-6266-7326,  
 China(Chengdu): Tel: (+86) 28-8519-2786,  
 USA: Tel: (+1) 949-639-9688,

(+86) 10-6266-7327 Fax: (+86) 10-6266-7379  
 (+86) 28-8519-3044 Fax: (+86) 28-8519-3068  
 (+1) 949-639-9608 Fax: (+1) 949-639-9670

Website: [www.ainfoinc.com](http://www.ainfoinc.com)  
 Email: [sales@ainfoinc.com](mailto:sales@ainfoinc.com)

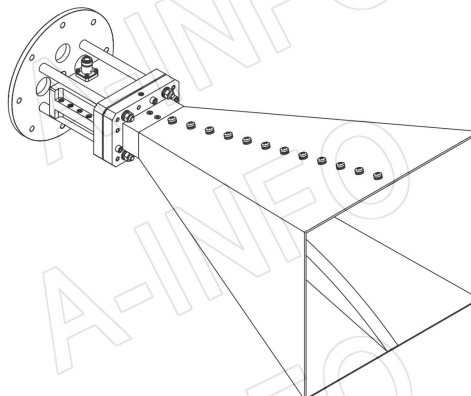
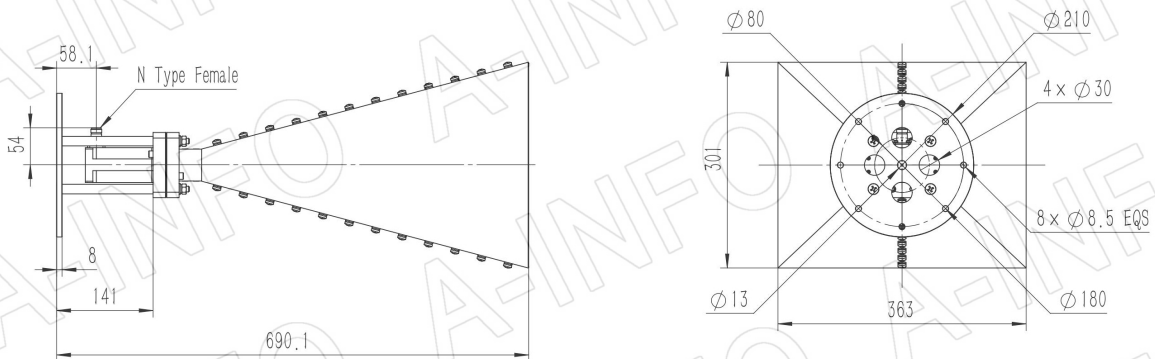
## N-Female Output (P/N: LB-1536-15-C-NF)

For SMA-Female output outline drawing, please contact A-INFO.



## N-Female Output with Round Mounting Bracket (Option, P/N: LB-1536-10-C-MB)

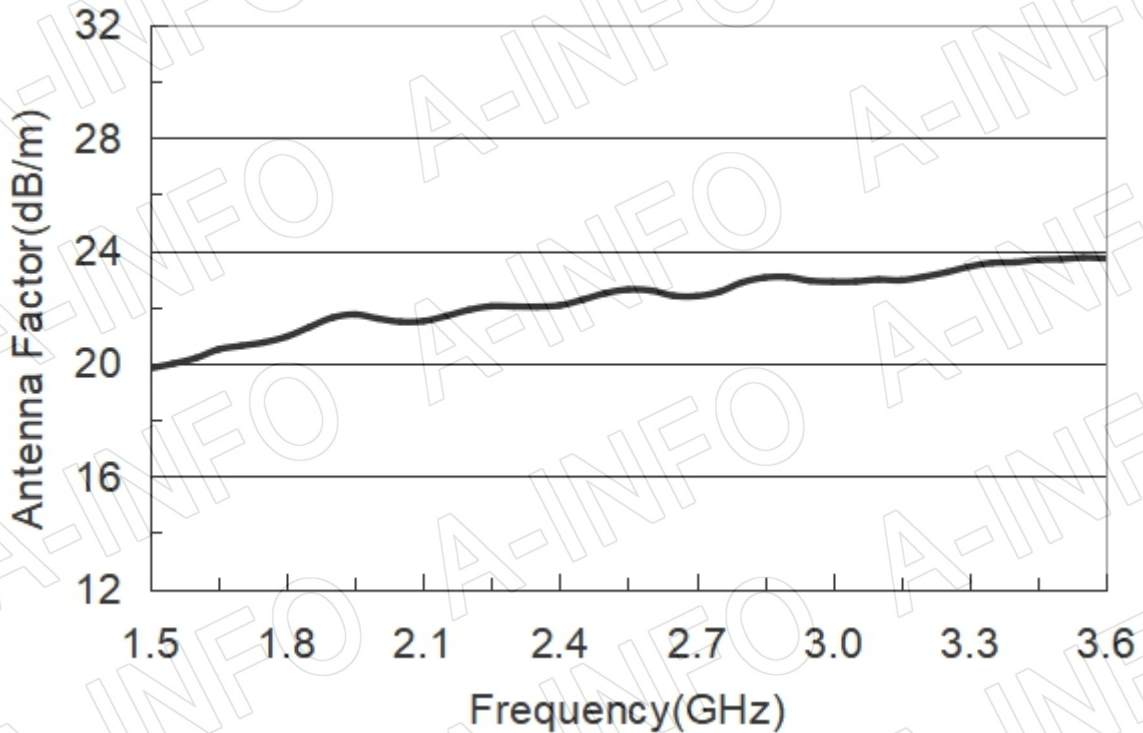
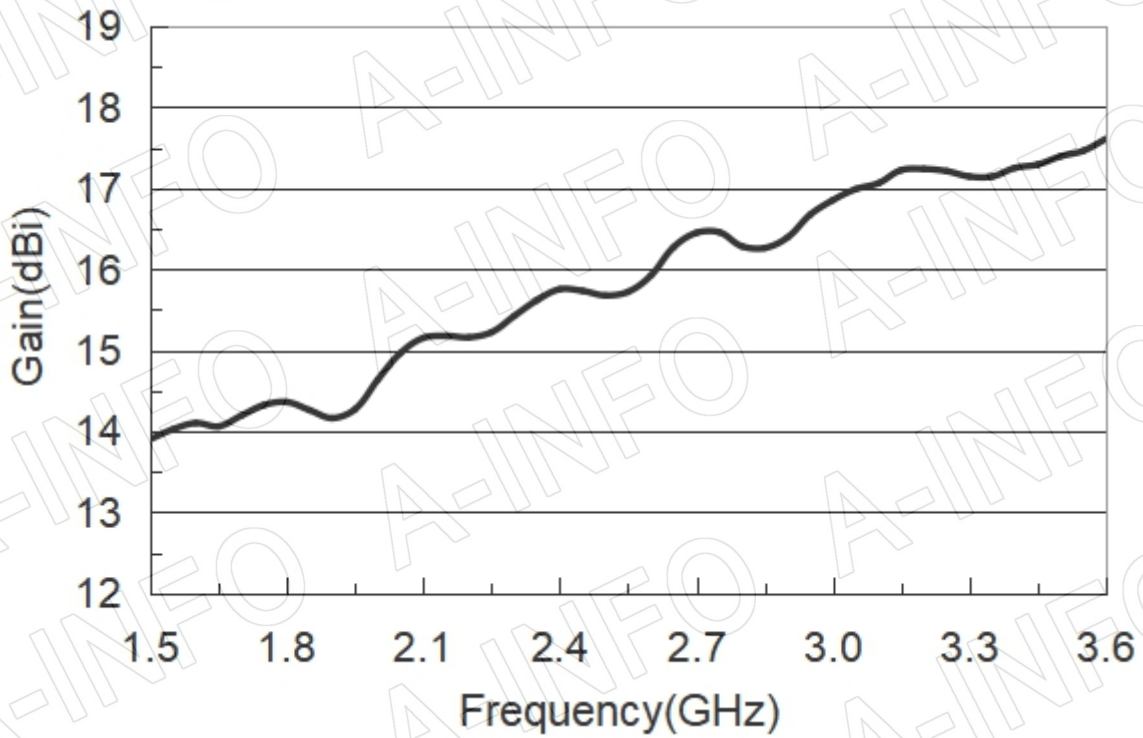
For SMA-Female output outline drawing, please contact A-INFO.





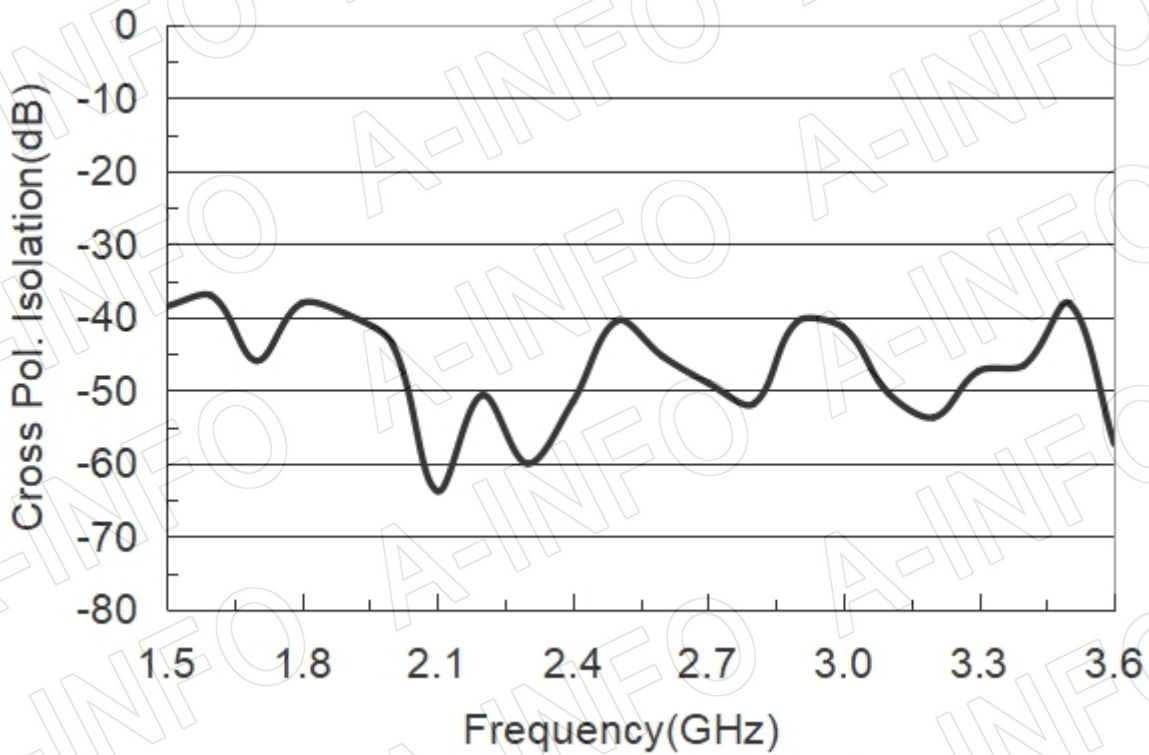
## Test Results

### 1. Gain & Antenna Factor

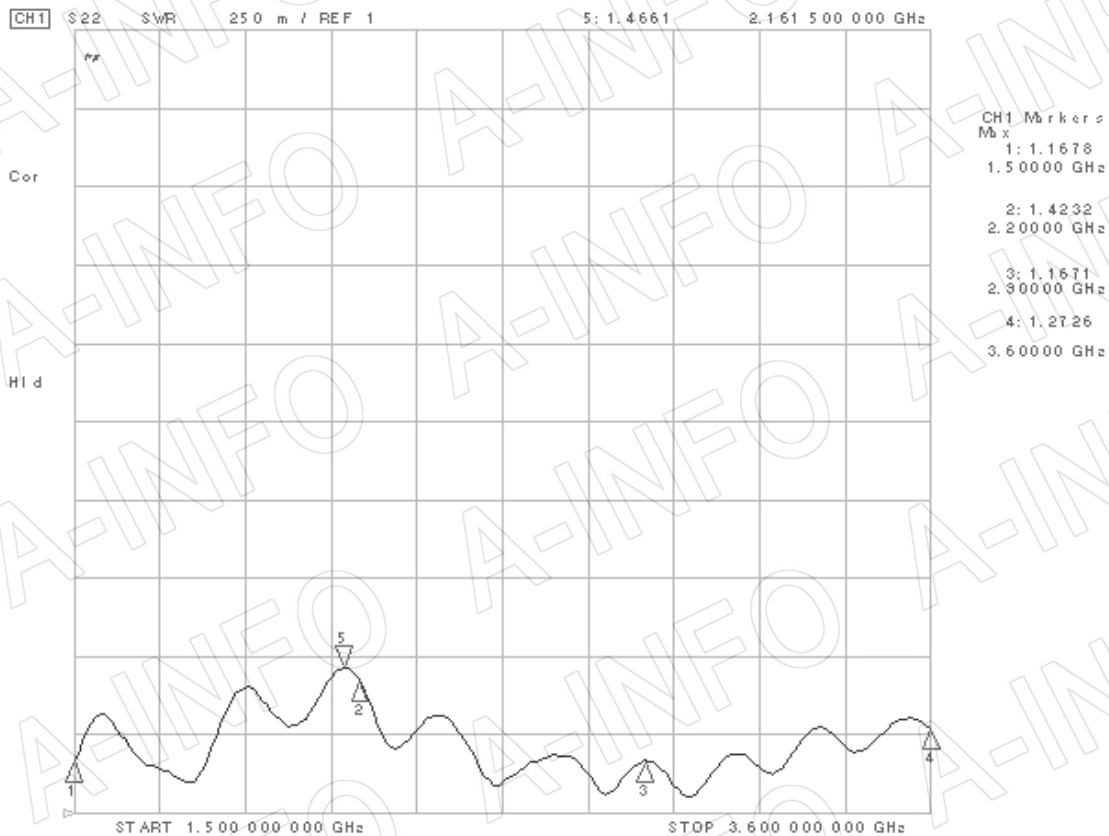




## 2. Cross Polarization Isolation



## 3. VSWR



## 4. Pattern

